



Single Channel High Voltage Isolation Modules

Jansum as a professional Single Channel High Voltage Isolation Modules manufacturer, you can rest assured to buy High Voltage Isolation Modules from our factory and we will offer you the best after-sale service and timely delivery. Adhering to the pursuit of perfect quality of products, so that our High Voltage Isolation Modules have been satisfied by many customers. H06C01SH is standing for 3000Vac.

Model:H06C01SH

Find a huge selection of **Single Channel High Voltage Isolation Modules** from China at JASN. Provide professional after-sales service and the right price, looking forward to cooperation.

Single Channel High Voltage Isolation Modules

Feature

Comply with RoHS requirements.

Operating temperature range: -40°C to +125°C.

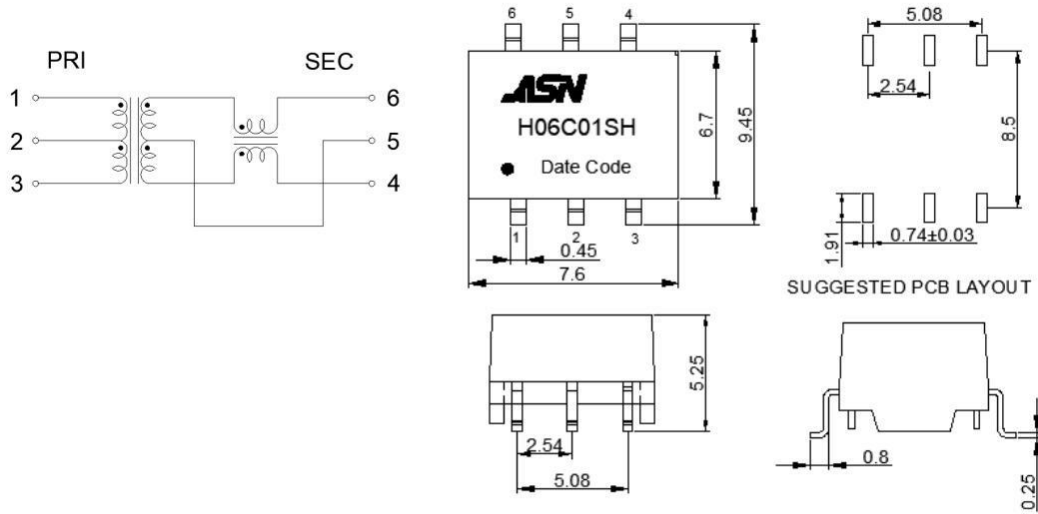
Storage temperature range: -40°C to +125°C.

Electrical Specifications @ 25°C

OCL:	Pri: 150uH Min. @100KHz/0.1V
Hi-Pot :	4730VDC 0.5mA 2Sec
Turns Ratio:	1CT:1CT±2%
LK:	Pri: 0.5uH Max @100KHz/0.1V
DCR:	Pri : 0.55ohm Max
	Sec : 0.85ohm Max
CWW:	28pF Max
Insertion Loss:	4MHz: -0.25dB Max
Return Loss:	4MHz: -20dB Min
CMRR:	1-10MHz: -35dB Min
	10-100MHz: -20dB Min

Schematic

Mechanical



Unless otherwise specified, all tolerances are ±0.25mm