



10/100Base-T Signal Transformer

JASN is a leading China 10/100Base-T Signal Transformer manufacturer, supplier and exporter. The PN H16C73SW designed to meet IEEE 802.3u standard and compatible with all Major PHYs apply on 10/100M speed rate and suitable for -40°C to +85°C application.

Model:H16C73SW

As a professional 10/100Base-T Signal Transformer manufacturer, you can rest assured to buy 10/100Base-T Signal Transformer from JASN factory and we will offer you the best after-sale service and timely delivery.

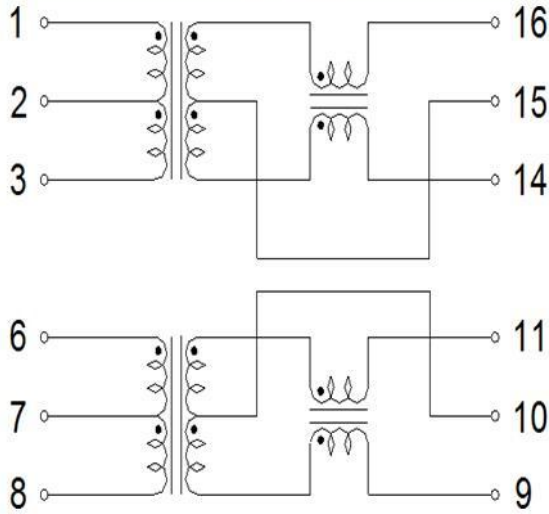
Feature

- Compliant with IEEE 802.3 standard.
- Comply with ROHS requirements.
- Supports 2pairs of category 5 UTP cable
- Operating temperature range: -40°C to +85°C.
- Storage temperature range: -25°C to +105°C.

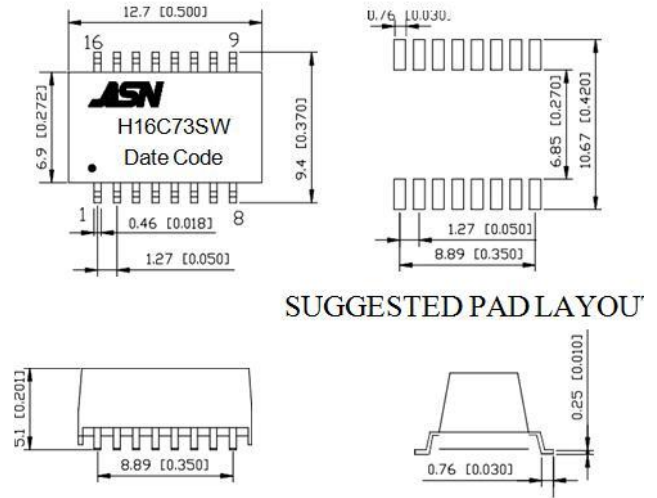
Electrical Specifications @ 25°C

OCL:	350uH Min. @100KHz/0.1V with 8mA DC Bias		
Hi-POT :	1500VAC		
Turn Ratio:	1:1±3%		
LK:	0.5uH Max @100KHz/0.2V		
Cw/w	28PF Max @100KHz/0.2V		
D.C.R:	1.2 ohm Max		
Insertion Loss:	1-100MHz: -1.0dB Max		
Cross Talk :	30MHz	60MHz	100MHz
	-45dB Min	-38dB Min	-33dB Min
Return Loss:	1-30MHz	40-50MHz	60-80MHz
	-16dB Min	-13dB Min	-11dB Min
D.C.M.R:	30MHz	60MHz	100MHz
	-43dB Min	-37dB Min	-33dB Min

Schematic



Mechanical



SUGGESTED PAD LAYOUT

Unless otherwise specified, all tolerances are ± 0.25